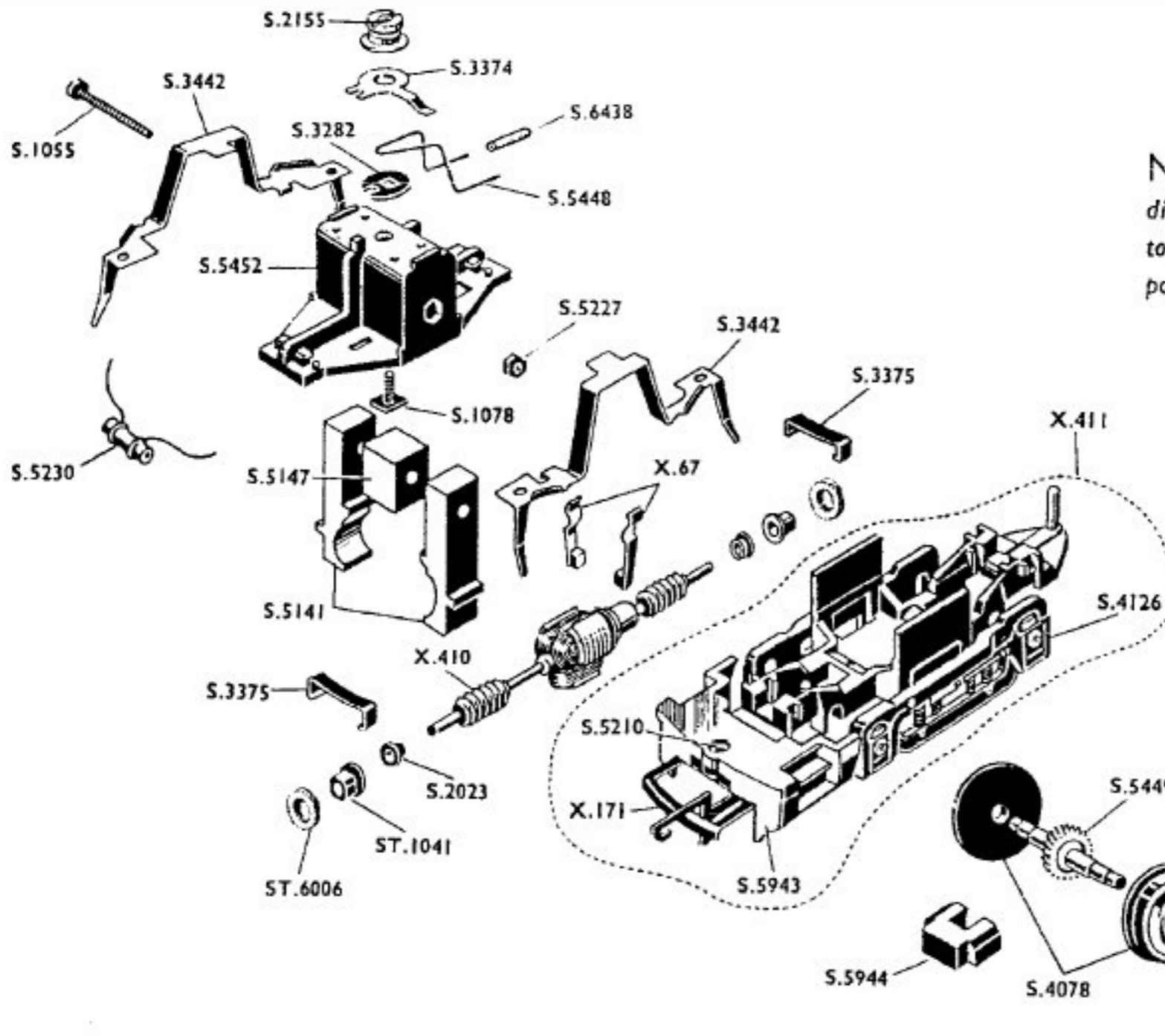
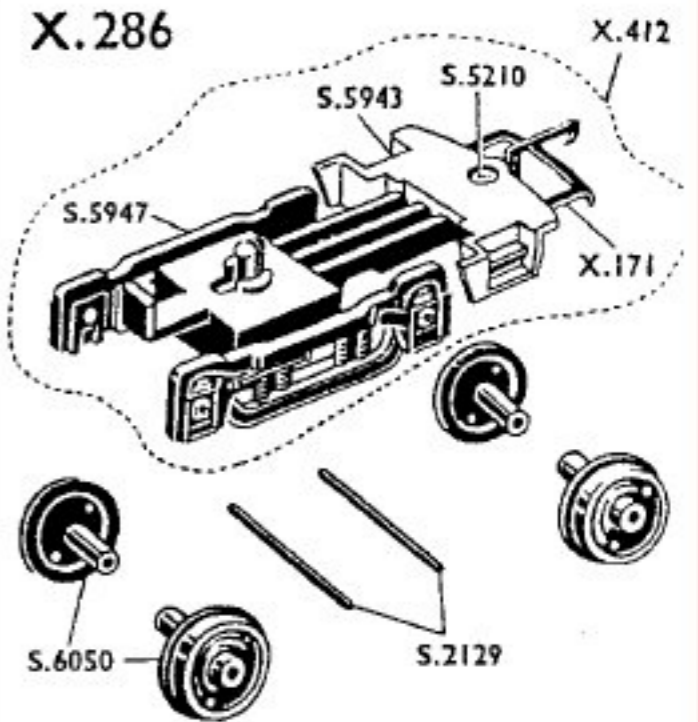
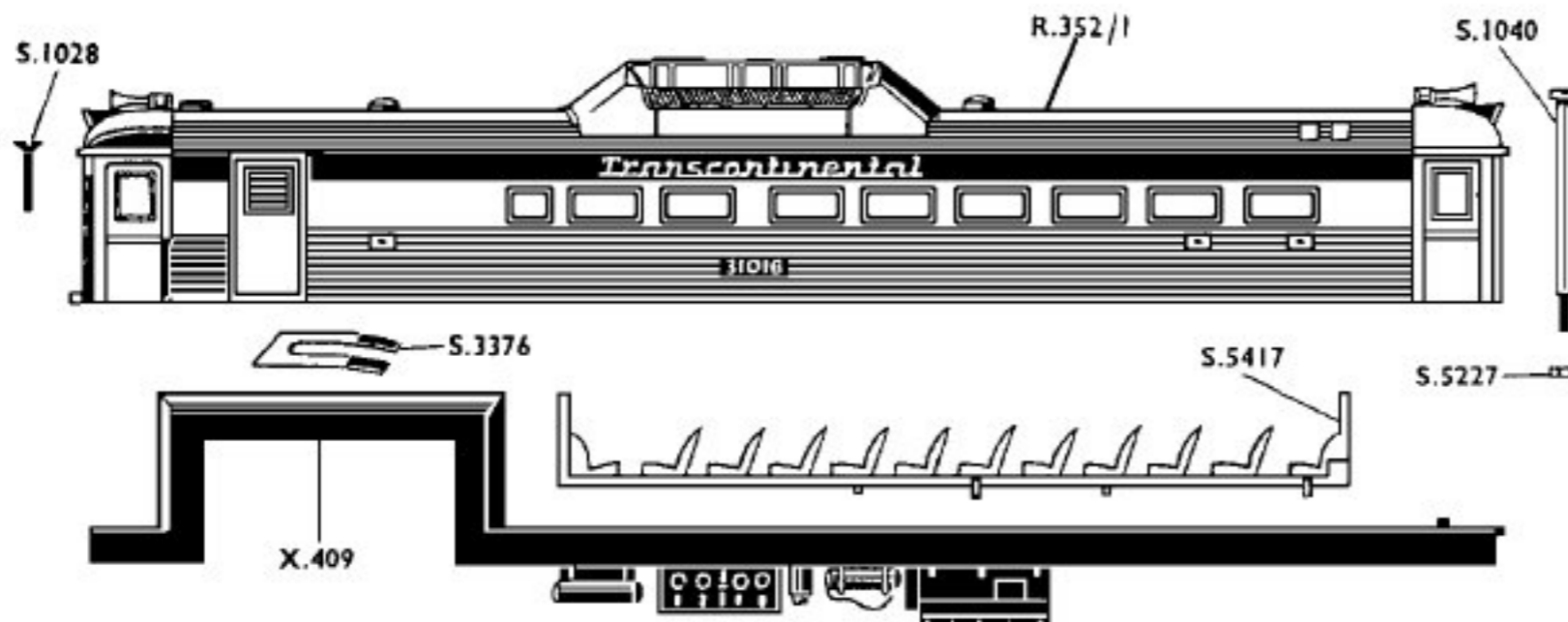


## RAILCAR-R.352



**NOTE:** To avoid loss of magnetism when dismantling, a suitable keeper must be applied to the magnet before it is separated from the pole pieces.

- R.352/1 Body (with horns and windows)
- X.67 Brush Arm and Brush
- X.171 Mk. 3 Coupling Unit
- X.239 Power Bogie
- X.286 Non-powered Bogie
- X.336 Axle Assembly (comprising 2—S.4078, 1—S.5449)
- X.409 Chassis Assembly
- X.410 Armature Assembly (including commutator and worms)
- X.411 Power Bogie Frame Assembly (comprising S.4126, S.5210, S.5943, X.171)
- X.412 Non-powered Bogie Frame Assembly (comprising S.5947, S.5210, S.5943, X.171)

- S.1016 Keeper Plate Screw
- S.1028 Body Screw (short)
- S.1040 Body Screw (long)
- S.1055 Magnet Screw
- S.1078 Pivot Screw
- S.2023 Thrust Bush
- S.2129 Rolling Stock Axle—Plain
- S.2155 Pivot Nut
- S.3282 Insulating Washer
- S.3374 Top Housing Contact Washer
- S.3375 Bearing Clip
- S.3376 Power Bogie Retaining Clip
- S.3404 Keeper Plate
- S.3442 Collector Unit
- S.4078 Wheel for Power Bogie
- S.4126 Power Bogie Main Frame

- S.5141 Pole Piece
- S.5147 Magnet
- S.5210 Coupling Eyelet
- S.5227 8BA Nut
- S.5230 Capacitor
- S.5417 Seat Unit
- S.5448 Brush Spring
- S.5449 Worm Wheel and Axle
- S.5452 Top Housing
- S.5943 Pilot
- S.5944 Traction Magnet
- S.5947 Non-powered Bogie Frame
- S.6050 Rolling Stock Wheel—Disc
- S.6438 Insulating Sleeve
- ST.1041 Bearing Bush
- ST.6006 Bearing Felt

Modifications are made to Tri-ang Railways models from time to time. If a spare part is required which does not coincide with the illustration, a full description should be given and, if necessary, a sketch or sample should accompany the order.

PRINTED IN ENGLAND



**ROVEX SCALE MODELS LIMITED**  
WESTWOOD, MARGATE, KENT, ENGLAND  
A Member of the Lines Bros. Group of Companies

**SERVICING SHEET**  
No. 31  
Issued August, 1962